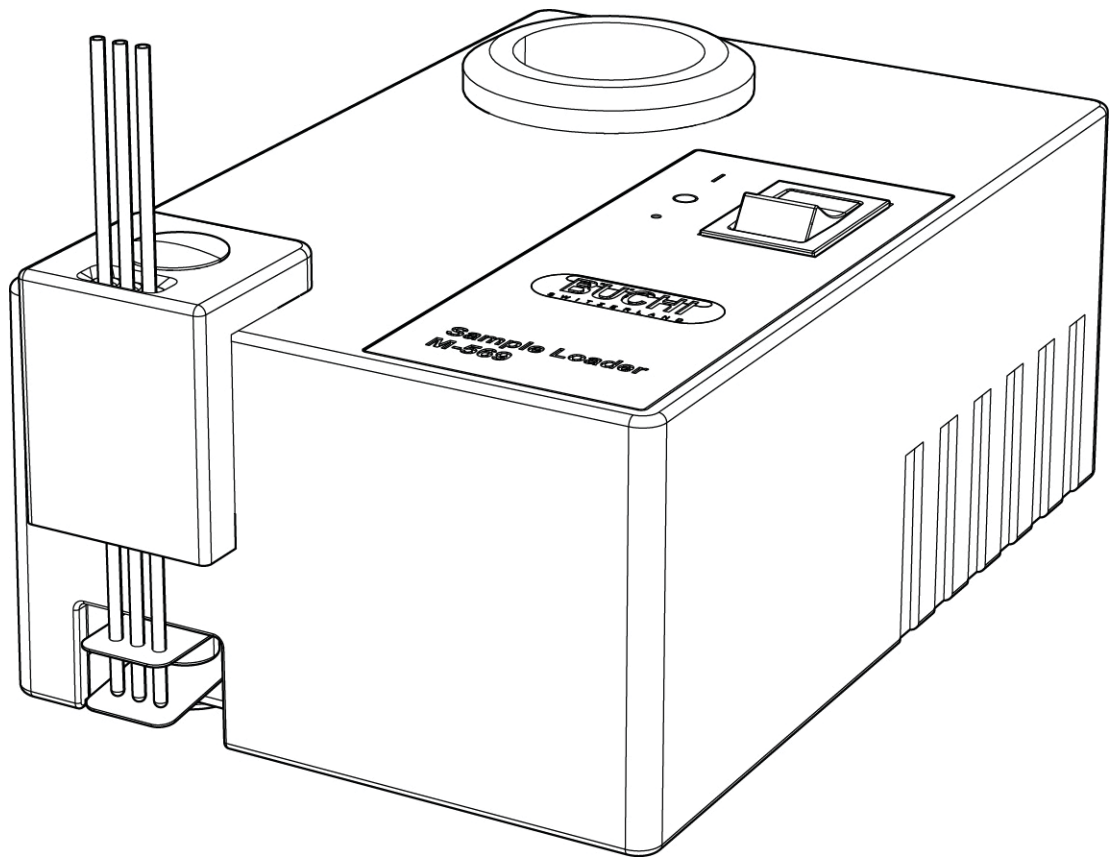


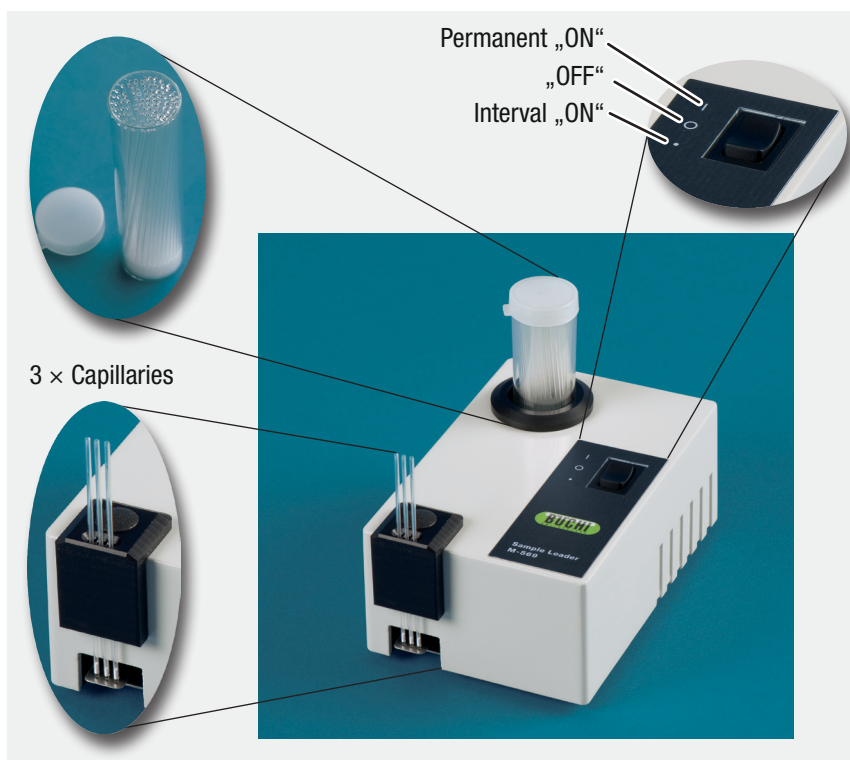


Sample Loader M-569

Operation Manual



System overview



Scope of delivery:

- 1 × Sample Loader M-569
- 1 × External power supply
- 1 × Ring
- 1 × Melting point capillaries, 100×

Accessories:

- 1 × Ring (051848)
- 1 × Melting point capillaries, 100× (017808)
- 1 × Melting point capillaries, 1000× (001759)
- 1 × External power supply (1105344)
- 1 × Cover cap (019980)

Read this manual carefully before installing and running your system. Store the manual in the immediate vicinity of the system, so that it can be consulted at any time. Knowledge of this is imperative for a safe operation.

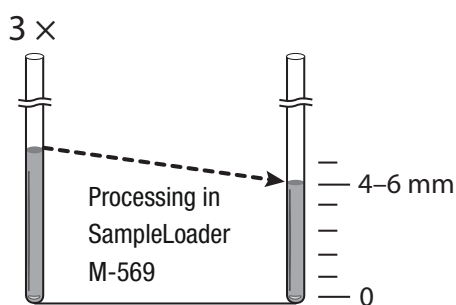
The English manual is the original language version and serves as basis for all translations into other languages. Other language versions can be downloaded at www.buchi.com. Subject to technical change without notice. No part of this manual may be reproduced in any form whatsoever or processed, reproduced or disseminated by means of electronic or optical systems without express written permission of BÜCHI Labortechnik AG. All rights reserved. Copyright © BÜCHI Labortechnik AG 2008, 093313 en Version A

Usage instruction



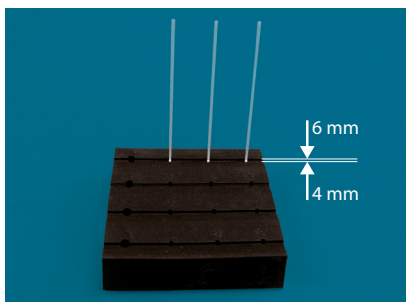
1. Step:

Pestle well.



2. Step:

- Fill capillaries with sample material.
- Place up to 3 capillaries in the Sample Loader M-569
- Start loading process.
- The residual filling height is 4–6 mm according to pharmacopoeia.



3. Step:

- Store one or more sets of filled capillaries in the sample holder.
- The sample holder has been designed to also be a filling gauge (see image).



4. Step:

Start the melting point determination.

Safety

The system has been carefully designed to avoid any hazardous situation. No inherent hazard has been discovered within the intended use.

Modifications

Modifications to the instrument are permitted only after prior consultation with and written approval from the manufacturer. Modifications and upgrades should be carried out only by an authorized Büchi technical engineer. The manufacturer reserves the right to decline any claim resulting from unauthorized modifications.

Spare parts to be used

Use only recommended consumables and spare parts for maintenance in order to ensure continued optimum system performance and reliability. Modifications to the spare parts used are allowed only with the prior written permission of the manufacturer.

Proper use

The Sample Loader M-569 has been designed to increase the packing density of melting point samples in glass capillaries only.

Improper use

Applications beyond the described above are improper. Furthermore, applications which do not comply with the technical data are also considered improper. The operator bears the sole risk for any damages caused by such improper use.

The following applications in particular are expressly forbidden:

- Use with gases, vapors, exhalations or inflammable dust in rooms requiring explosion-proof equipment.

Installation site

Place the instrument on a stable, horizontal surface adequate for the maximum product dimensions. It is advisable to place the instrument in a fume hood due to the fact that it will be used to prepare chemical

substances. For safety reasons the unit must be placed at least 30 cm away from rear walls or other objects to be able to disconnect the power supply at any time.

Installation

Connect the power supply output plug to the power input on the instrument rear-side.

Technical data

External power supply:

Approval	CE, UL, CSA
Connection voltage	100–240 V ($\pm 10\%$), 50–60 Hz
Contact termination	single phase, L/N
Power consumption	max. 6 W
Overvoltage category	II
Degree of protection	IP20
Pollution degree	2
Output voltage	12 V
Output current	0,5 A
Max. output wattage	6 W

Sample Loader M-569

Dimensions in mm (w×d×h)	86 × 130 × 70
Weight	500 g
Input voltage	12 V
Input wattage	max. 6 W

Environmental conditions	<ul style="list-style-type: none"> • For indoor use only • 5–40 °C • max. altitude 2000 m • max. rel. humidity 80% for temperatures up to 31 °C decreasing linearly to 50% rel. humidity at 40 °C
--------------------------	---

Materials used

Housing	PU
Bottom plate	Stainless steel

Cleaning

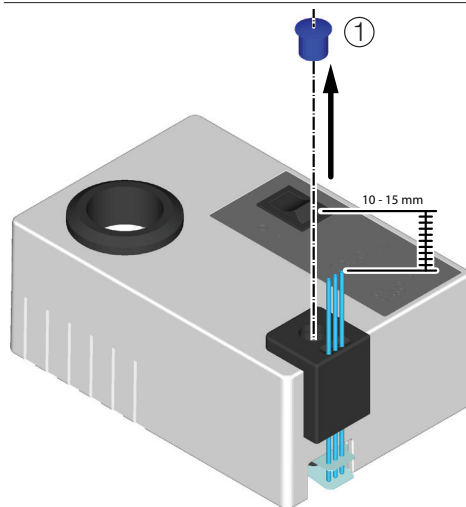
Check the housing of your sample loader for defects (controls, plugs). The housing is coated with paint and should be cleaned only with a rag moistened in a soapy solution or ethanol.

Readjusting the capillars' upward movement

The ideal height for the capillars' upward movement has been set between 10 - 15 mm by the manufacturer.

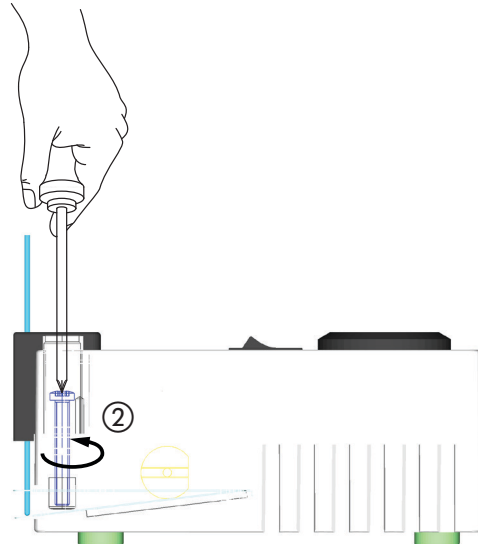
This height might decrease in the course of time.

To readjust it, proceed as follows:



1. Step:

Remove the cover cap ① by means of a small flat screw driver or a small knife to have free access to the adjustment screw.



2. Step:

- Insert some capillaries if they are not already present and switch on the instrument.
- Apply a ruler next to the capillaries, so that you can control the height directly while adjusting.
- Now, by means of a crosstip screwdriver, slightly turn the screw ② counterclockwise until the ideal height of 10 - 15 mm is reached again.

Note:

Make sure not to turn too far, so that the capillaries are not removed from the loader

Do not loosen the screw completely. Otherwise the instrument has to be reassembled by the customer service.

BUCHI Affiliates:

Europe

Switzerland/Austria

BÜCHI Labortechnik AG
 CH – 9230 Flawil
 T +41 71 394 63 63
 F +41 71 394 65 65
 buchi@buchi.com
 www.buchi.com

Italy

BUCHI Italia s.r.l.
 IT – 20010 Cornaredo (MI)
 T +39 02 824 50 11
 F +39 02 575 12 855
 italia@buchi.com
 www.buchi.it

Benelux

BÜCHI Labortechnik GmbH
 Branch Office Benelux
 NL – 3342 GT Hendrik-Ido-Ambacht
 T +31 78 684 94 29
 F +31 78 684 94 30
 benelux@buchi.com
 www.buchi.be

Russia

BUCHI Russia/CIS
 Russia 127287 Moscow
 T +7 495 36 36 495
 F +7 495 98 10 520
 russia@buchi.com
 www.buchi.ru

France

BUCHI Sarl
 FR – 94656 Rungis Cedex
 T +33 1 56 70 62 50
 F +33 1 46 86 00 31
 france@buchi.com
 www.buchi.fr

United Kingdom

BUCHI UK Ltd.
 GB – Oldham OL9 9QL
 T +44 161 633 1000
 F +44 161 633 1007
 uk@buchi.com
 www.buchi.co.uk

Germany

BÜCHI Labortechnik GmbH
 DE – 45127 Essen
 T +800 414 0 414 0 (Toll Free)
 T +49 201 747 49 0
 F +49 201 747 49 20
 deutschland@buchi.com
 www.buechigmbh.de

Germany

BÜCHI NIR-Online
 DE – 69190 Walldorf
 T +49 6227 73 26 60
 F +49 6227 73 26 70
 nir-online@buchi.com
 www.nir-online.de

America

Brazil

BUCHI Brasil Ltda.
 BR – Valinhos SP 13271-200
 T +55 19 3849 1201
 F +55 19 3849 2907
 brasil@buchi.com
 www.buchi.com

USA/Canada

BUCHI Corporation
 US – New Castle, DE 19720
 T +1 877 692 8244 (Toll Free)
 T +1 302 652 3000
 F +1 302 652 8777
 us-sales@buchi.com
 www.mybuchi.com

Asia

China

BUCHI China
 CN – 200052 Shanghai
 T +86 21 6280 3366
 F +86 21 5230 8821
 china@buchi.com
 www.buchi.com.cn

India

BUCHI India Private Ltd.
 IN – Mumbai 400 055
 T +91 22 667 75400
 F +91 22 667 18986
 india@buchi.com
 www.buchi.in

Indonesia

PT. BUCHI Indonesia
 ID – Tangerang 15321
 T +62 21 537 62 16
 F +62 21 537 62 17
 indonesia@buchi.com
 www.buchi.co.id

Japan

Nihon BUCHI K.K.
 JP – Tokyo 110-0008
 T +81 3 3821 4777
 F +81 3 3821 4555
 nihon@buchi.com
 www.nihon-buchi.jp

Korea

BUCHI Korea Inc.
 KR – Seoul 153-782
 T +82 2 6718 7500
 F +82 2 6718 7599
 korea@buchi.com
 www.buchi.kr

Malaysia

BUCHI Malaysia Sdn. Bhd.
 MY – 47301 Petaling Jaya,
 Selangor
 T +60 3 7832 0310
 F +60 3 7832 0309
 malaysia@buchi.com
 www.buchi.com

Singapore

BUCHI Singapore Pte. Ltd.
 SG – Singapore 609919
 T +65 6565 1175
 F +65 6566 7047
 singapore@buchi.com
 www.buchi.com

Thailand

BUCHI (Thailand) Ltd.
 TH – Bangkok 10600
 T +66 2 862 08 51
 F +66 2 862 08 54
 thailand@buchi.com
 www.buchi.co.th

BUCHI Support Centers:

South East Asia

BUCHI (Thailand) Ltd.
 TH-Bangkok 10600
 T +66 2 862 08 51
 F +66 2 862 08 54
 bacc@buchi.com
 www.buchi.com

Middle East

BÜCHI Labortechnik AG
 UAE – Dubai
 T +971 4 313 2860
 F +971 4 313 2861
 middleeast@buchi.com
 www.buchi.com

Latin America

BUCHI Latinoamérica Ltda.
 BR – Valinhos SP 13271-200
 T +55 19 3849 1201
 F +55 19 3849 2907
 latinoamerica@buchi.com
 www.buchi.com

We are represented by more than 100 distribution partners worldwide.
 Find your local representative at: www.buchi.com